



MEISHENG SANITARY WARE CO.,LTD.

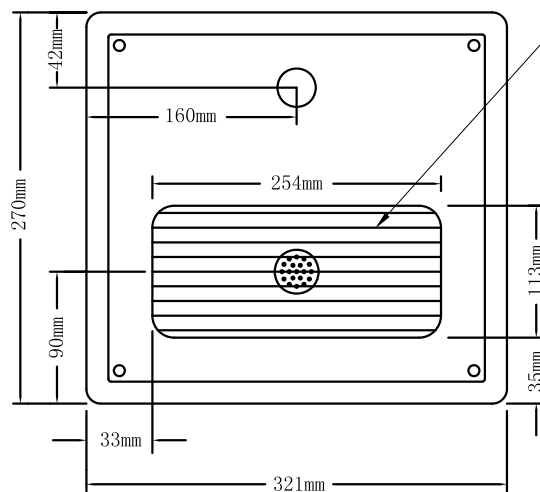
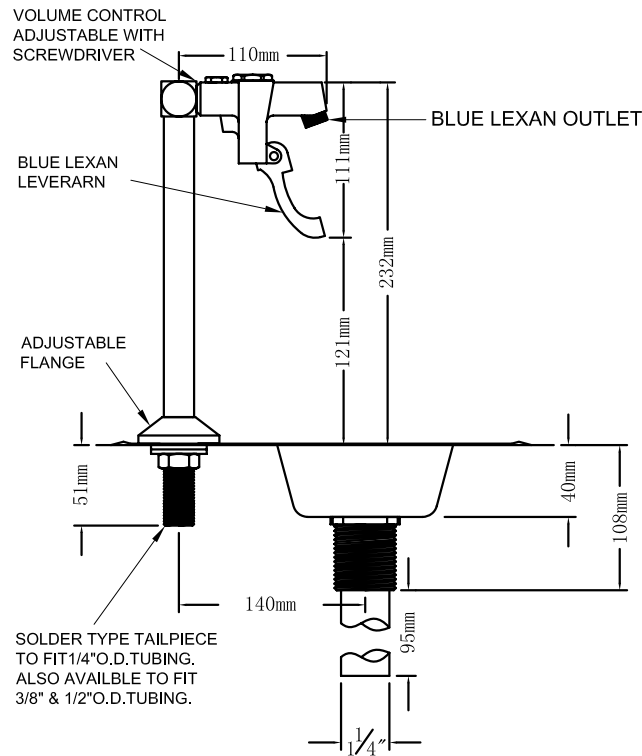
Yuanjia Qinggang Yuhuan Zhejiang China 317606

TEL: +86-576-87121119 FAX: +86-576-87121319 Http://www.pre-rinse.com

Model No.

9851

Item No.



DROP IN GRID

NOTE1: AVAILABLE LESS (4) CORNER MOUNTING HOLES IF SPECIFIED.

NOTE2: 18 GAUGE STAINLESS STEEL PAN WITH BEADED EDGE. SUPPLIED WITH MASTIC & STAINLESS STEEL SCREWS FOR MOUNTING.

NOTE3: SUGGESTED CUT OUT SIZE FOR PAN IS 10-1/2" X 5" CUSTOMER TO VERIFY ACTUAL CUT-OUT NEEDED PRIOR TO INSTALLATION

Certificate:



Drawn:

Chen

Checked:

Xu

Approved:

Xu

Scale:

Date:

2010/05/27